

# Brass Horizontal Swing Check Valve



Solder Connection • 200 WOG



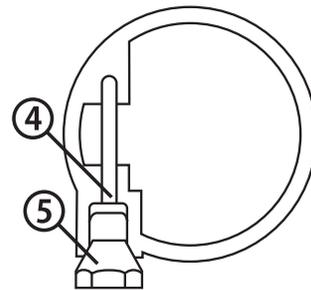
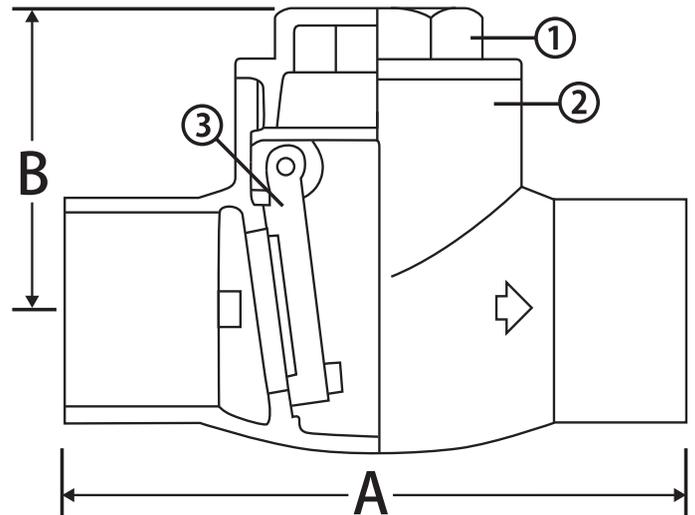
S-501

### Features

- Residential and commercial applications

### Pressure Rating

- 200 WOG



### Material Specifications

No.	Part	Materials
1	Cap	Cast Brass
2	Body	Cast Brass
3	Disc	Forged Brass
4	Hinge Pin	Brass
5	Screw	Brass

### Dimensions

Part No.	Size	A	B
105-203	1/2"	2.52	1.54
105-204	3/4"	1.54	1.62
105-205	1"	3.90	1.77
105-206	1-1/4"	4.37	2.01
105-207	1-1/2"	4.96	2.25
105-208	2"	5.99	2.68

Tank Truck Service & Sales, Inc. Warren, Michigan  
800-482-2678 [www.tanktruckservice.com](http://www.tanktruckservice.com)